

KAMLOK®

TWIN-KAM™ QUICK COUPLINGS

OPW Kamlok® quick-disconnect couplings are the industry standard for safety and ease of operation. For worker safety, these couplings are equipped with the exclusive Twin-Kam™ arms to prevent unintentional arm release beyond 45°.

BENEFITS

- Prevents unintentional arm release beyond 45°
- Resistant to vibrations
- Prevents hassle with wires
- Prevents fingers from getting trapped
- Extra durability in harsh environment
- Using OPW Kamloks® ensures you have a secure and easy coupling

FEATURES

- Twin-Kam™ arms
- Sturdy finger rings
- Heavy-duty construction
- Interchangeability



IMPORTANT: OPW products should be used in compliance with applicable federal, state, provincial, and local laws and regulations. Product selection should be based on physical specifications and limitations and compatibility with the environment and materials to be handled. OPW MAKES NO WARRANTY OF FITNESS FOR A PARTICULAR USE. All illustrations and specifications in this literature are based on the latest product information available at the time of publication. OPW reserves the right to make changes at any time in prices, materials, specifications and models and to discontinue models without notice or obligation.

Arm Locked



With one arm locked down firmly and the other arm in the unique 45° detent position, adaptor remains secure in coupler.

One Arm Fully Released



With one arm fully released and the other arm in the detent position, slight leakage may occur, at full pressure.

Both Arms Fully Released



With both arms in this detent position, the adaptor remains secure in coupler. The line pressure increases resistance to open arms beyond this point; in fact, it pushes the cam-arms to close again.



APPLICATIONS ▶

- Chemical products
- Petroleum products
- Agriculture
- Brewing
- Concrete
- Dry bulk
- Paint industry
- Filtration
- Ink industry
- Liquid fertilizer



• Finger rings are standard on sizes from 25 mm/1 inch • DIN SS Kamloks® have finger rings on all sizes

AL = Aluminum | BR = Bronze | SS = Stainless Steel | PP = Polypropylene

633ABS Adaptor (BSPP) 633A (NPT)		mm	15	20	25	32	40	50	65	80	100	125	150	200
		inch	0.50	0.75	1	1.25	1.50	2	2.50	3	4	5	6	8
		AL	•	•	•	•	•	•	•	•	•	•	•	•
		BR	•	•	•	•	•	•	•	•	•	•	•	•
		SS	•	•	•	•	•	•	•	•	•	•	•	•
		PP	-	•	•	-	•	•	-	•	-	-	-	-

633DBS Coupler (BSPP) 633D (NPT)		mm	15	20	25	32	40	50	65	80	100	125	150	200
		inch	0.50	0.75	1	1.25	1.50	2	2.50	3	4	5	6	8
		AL	•	•	•	•	•	•	•	•	•	•	•	•
		BR	•	•	•	•	•	•	•	•	•	•	•	•
		SS	•	•	•	•	•	•	•	•	•	•	•	•
		PP	-	•	•	-	•	•	-	•	-	-	-	-

633ABSF Adaptor (BSPP) DIN2828 with Thread Gasket		mm	15	20	25	32	40	50	65	80	100	125	150	200
		inch	0.50	0.75	1	1.25	1.50	2	2.50	3	4	5	6	8
		AL	-	-	-	-	-	-	-	-	-	-	-	-
		BR	-	-	-	-	-	-	-	-	-	-	-	-
		SS	-	•	•	•	•	•	-	•	-	-	-	-
		PP	-	-	-	-	-	-	-	-	-	-	-	-

633DBSF Coupler (BSPP) DIN2828 with Thread Gasket		mm	15	20	25	32	40	50	65	80	100	125	150	200
		inch	0.50	0.75	1	1.25	1.50	2	2.50	3	4	5	6	8
		AL	-	-	-	-	-	-	-	-	-	-	-	-
		BR	-	-	-	-	-	-	-	-	-	-	-	-
		SS	-	•	•	•	•	•	-	•	-	-	-	-
		PP	-	-	-	-	-	-	-	-	-	-	-	-

633FB Adaptor (BSPT) 633F (NPT)		mm	15	20	25	32	40	50	65	80	100	125	150	200
		inch	0.50	0.75	1	1.25	1.50	2	2.50	3	4	5	6	8
		AL	•	•	•	•	•	•	•	•	•	•	•	•
		BR	•	•	•	•	•	•	•	•	•	•	•	•
		SS	•	•	•	•	•	•	•	•	•	•	•	-
		PP	-	•	•	-	•	•	-	•	-	-	-	-



633BB Coupler (BSPT) 633B (NPT)		mm	15	20	25	32	40	50	65	80	100	125	150	200
		inch	0.50	0.75	1	1.25	1.50	2	2.50	3	4	5	6	8
		AL	•	•	•	•	•	•	•	•	•	•	•	•
		BR	•	•	•	•	•	•	•	•	•	•	•	•
		SS	•	•	•	•	•	•	•	•	•	•	•	-
		PP	-	•	•	-	•	•	-	•	-	-	-	-

633E Adaptor		mm	15	20	25	32	40	50	65	80	100	125	150	200
		inch	0.50	0.75	1	1.25	1.50	2	2.50	3	4	5	6	8
		AL	-	•	•	•	•	•	•	•	•	•	•	•
		BR	-	•	•	•	•	•	•	•	•	•	•	•
		SS	-	•	•	•	•	•	•	•	•	•	•	-
		PP	-	•	•	-	•	•	-	•	-	-	-	-

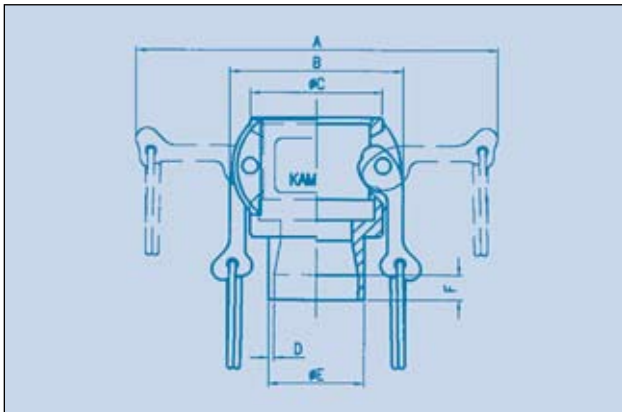
IMPORTANT: OPW products should be used in compliance with applicable federal, state, provincial, and local laws and regulations. Product selection should be based on physical specifications and limitations and compatibility with the environment and materials to be handled. OPW MAKES NO WARRANTY OF FITNESS FOR A PARTICULAR USE. All illustrations and specifications in this literature are based on the latest product information available at the time of publication. OPW reserves the right to make changes at any time in prices, materials, specifications and models and to discontinue models without notice or obligation.

• Finger rings are standard on sizes from 25 mm/1 inch • DIN SS Kamloks® have finger rings on all sizes

AL = Aluminum | BR = Bronze | SS = Stainless Steel | PP = Polypropylene

633C Coupler 	mm	15	20	25	32	40	50	65	80	100	125	150	200
	inch	0.50	0.75	1	1.25	1.50	2	2.50	3	4	5	6	8
	AL	-	•	•	•	•	•	•	•	•	•	•	•
	BR	-	•	•	•	•	•	•	•	•	•	•	•
	SS	-	•	•	•	•	•	•	•	•	•	•	-
	PP	-	•	•	-	•	•	-	•	-	-	-	-
633EC Adaptor With hose shank to VG-85328-3, for use with reusable hose clamps to DIN 287. 	mm	15	20	25	32	40	50	65	80	100	125	150	200
	inch	0.50	0.75	1	1.25	1.50	2	2.50	3	4	5	6	8
	AL	-	-	-	-	-	-	-	-	-	-	-	-
	BR	-	-	-	-	-	-	-	-	-	-	-	-
	SS	-	-	•	-	•	•	-	•	-	-	-	-
	PP	-	-	-	-	-	-	-	-	-	-	-	-
633CC Coupler With hose shank to VG-85328-3, for use with reusable hose clamps to DIN 287. 	mm	15	20	25	32	40	50	65	80	100	125	150	200
	inch	0.50	0.75	1	1.25	1.50	2	2.50	3	4	5	6	8
	AL	-	-	-	-	-	-	-	-	-	-	-	-
	BR	-	-	-	-	-	-	-	-	-	-	-	-
	SS	-	-	•	-	•	•	-	•	-	-	-	-
	PP	-	-	-	-	-	-	-	-	-	-	-	-
634A Plug 	mm	15	20	25	32	40	50	65	80	100	125	150	200
	inch	0.50	0.75	1	1.25	1.50	2	2.50	3	4	5	6	8
	AL	•	•	•	•	•	•	•	•	•	•	•	•
	BR	•	•	•	•	•	•	•	•	•	•	•	•
	SS	•	•	•	•	•	•	•	•	•	•	•	•
	PP	-	-	•	-	•	•	-	•	-	-	-	-
634B Cap 	mm	15	20	25	32	40	50	65	80	100	125	150	200
	inch	0.50	0.75	1	1.25	1.50	2	2.50	3	4	5	6	8
	AL	•	•	•	•	•	•	•	•	•	•	•	•
	BR	•	•	•	•	•	•	•	•	•	•	•	•
	SS	•	•	•	•	•	•	•	•	•	•	•	•
	PP	-	-	•	-	•	•	-	•	-	-	-	-
634BK Cap With messing cam arms 	mm	15	20	25	32	40	50	65	80	100	125	150	200
	inch	0.50	0.75	1	1.25	1.50	2	2.50	3	4	5	6	8
	AL	-	-	-	-	•	•	•	•	•	-	-	-
	BR	-	-	-	-	•	•	•	•	•	-	-	-
	SS	-	-	-	-	•	•	•	•	•	-	-	-
	PP	-	-	-	-	•	•	-	•	-	-	-	-

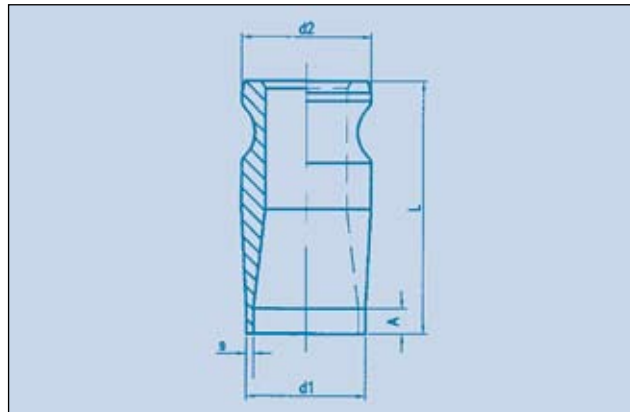
**SS BUTT-WELD KAMLOK® COUPLER
TYPE 633BWH-SS**



mm	inch	A	B	Ø C	D	Ø E	F
15	0.50	116	54	41	1.6	21.3	7
20	0.75	116	54	41	1.6	26.9	7
25	1	125	61	47	2.0	33.7	7
32	1.25	181	83	58	2.0	42.4	7
40	1.50	189	91	65	2.0	48.3	7
50	2	199	101	75	2.0	60.3	8
65	2.50	210	112	90	2.3	76.1	10
80	3	254	138	108	2.3	88.9	10
100	4	282	166	140	2.6	114.3	12
125	5	-	-	-	-	-	-
150	6	-	-	-	-	-	-
200	8	-	-	-	-	-	-

Stainless Steel Only ◀ Dimensions in mm ▶

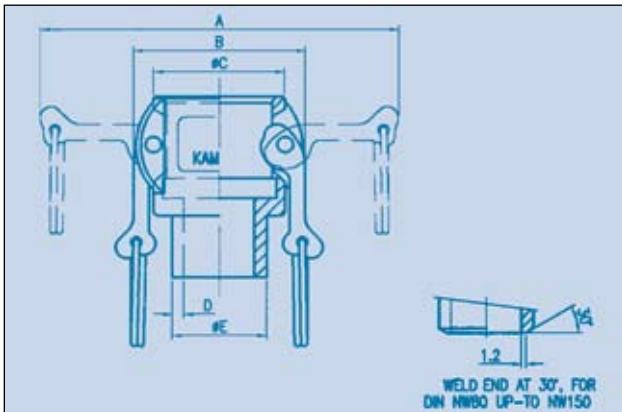
**SS BUTT-WELD KAMLOK® ADAPTOR
TYPE 633FWH-SS**



mm	inch	D1	S	D2	L	A
15	0.50	-	-	-	-	-
20	0.75	26.9	1.6	32.1	57	7
25	1	33.7	2.0	36.7	71	7
32	1.25	42.4	2.0	45.5	75	7
40	1.50	48.3	2.0	53.4	78	7
50	2	60.3	2.0	63.0	90	8
65	2.50	76.1	2.3	75.8	101	10
80	3	88.9	2.3	91.5	103	10
100	4	114.3	2.6	119.5	117	12
125	5	-	-	-	-	-
150	6	-	-	-	-	-
200	8	-	-	-	-	-

Stainless Steel Only ◀ Dimensions in mm ▶

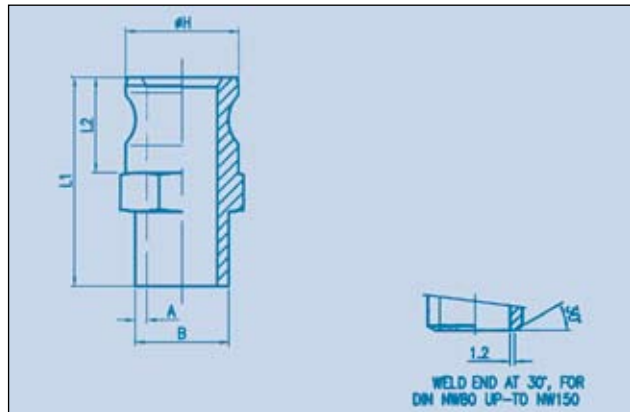
**SS BUTT-WELD DIN2828 KAMLOK® COUPLER
TYPE 633BWD-SS**



mm	inch	A	B	Ø C	D	Ø E
15	0.50	116	54	41	2.3	21.3
20	0.75	116	54	41	2.3	26.9
25	1	125	61	47	2.6	33.7
32	1.25	181	83	58	2.6	42.4
40	1.50	189	91	65	2.6	48.3
50	2	199	101	75	2.9	60.3
65	2.50	210	112	90	2.9	76.1
80	3	254	138	108	3.2	88.9
100	4	282	166	140	3.6	114.3
125	5	-	-	-	-	-
150	6	-	-	-	-	-
200	8	-	-	-	-	-

Stainless Steel Only ◀ Dimensions in mm ▶

**SS BUTT-WELD DIN2828 KAMLOK® ADAPTOR
TYPE 633FWD-SS**

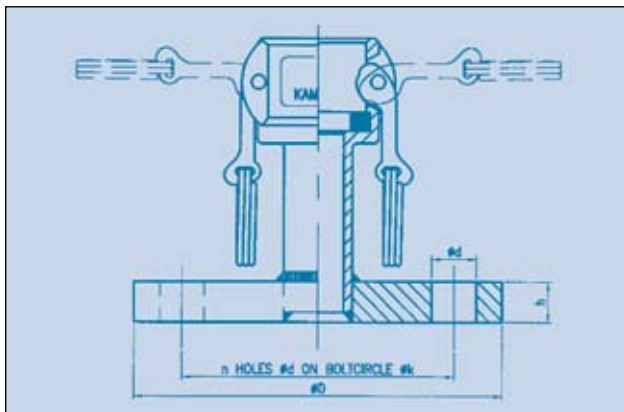


mm	inch	Ø H	L1	L2	A	B
15	0.50	32	59	30	2.3	21.3
20	0.75	32	59	30	2.3	26.9
25	1	37	72	35	2.6	33.7
32	1.25	45	80	40	2.6	42.4
40	1.50	53	79	42	2.6	48.3
50	2	63	90	48	2.9	60.3
65	2.50	76	102	50	2.9	76.1
80	3	92	103	52	3.2	88.9
100	4	120	119	53	3.6	114.3
125	5	-	-	-	-	-
150	6	-	-	-	-	-
200	8	-	-	-	-	-

Stainless Steel Only ◀ Dimensions in mm ▶

IMPORTANT: OPW products should be used in compliance with applicable federal, state, provincial, and local laws and regulations. Product selection should be based on physical specifications and limitations and compatibility with the environment and materials to be handled. OPW MAKES NO WARRANTY OF FITNESS FOR A PARTICULAR USE. All illustrations and specifications in this literature are based on the latest product information available at the time of publication. OPW reserves the right to make changes at any time in prices, materials, specifications and models and to discontinue models without notice or obligation.

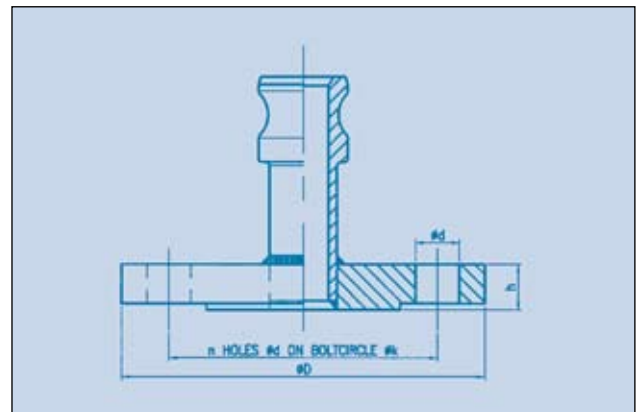
**DIN PN 10/16 FLANGED SS KAMLOK® COUPLER
TYPE 633LBS-SS DIN (PN 25 on request)**



mm	inch	Ø k	Ø D	h	n	Ø d
15	0.50	65	95	14	4	14
20	0.75	75	105	16	4	14
25	1	85	115	16	4	14
32	1.25	100	140	16	4	18
40	1.50	110	150	16	4	18
50	2	125	165	18	4	18
65	2.50	145	185	18	4	18
80	3	160	200	20	8	18
100	4	180	220	20	8	19
125	-	-	-	-	-	-
150	-	-	-	-	-	-
200	-	-	-	-	-	-

Stainless Steel Only ◀ Dimensions in mm ▶

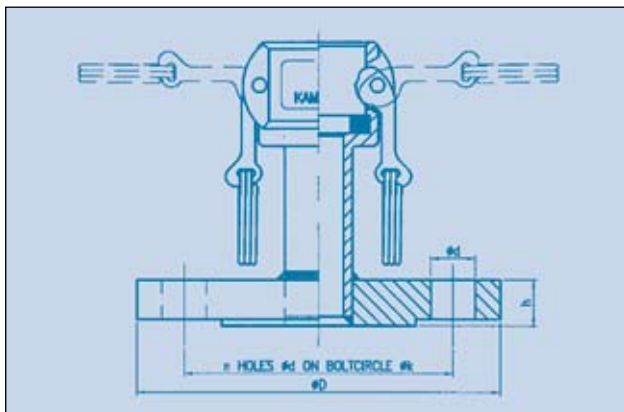
**DIN PN 10/16 FLANGED SS KAMLOK® ADAPTOR
TYPE 633LAS-SS DIN (PN 25 on request)**



mm	inch	Ø k	Ø D	h	n	Ø d
15	0.50	65	95	14	4	14
20	0.75	75	105	16	4	14
25	1	85	115	16	4	14
32	1.25	100	140	16	4	18
40	1.50	110	150	16	4	18
50	2	125	165	18	4	18
65	2.50	145	185	18	4	18
80	3	160	200	20	8	18
100	4	180	220	20	8	19
125	-	-	-	-	-	-
150	-	-	-	-	-	-
200	-	-	-	-	-	-

Stainless Steel Only ◀ Dimensions in mm ▶

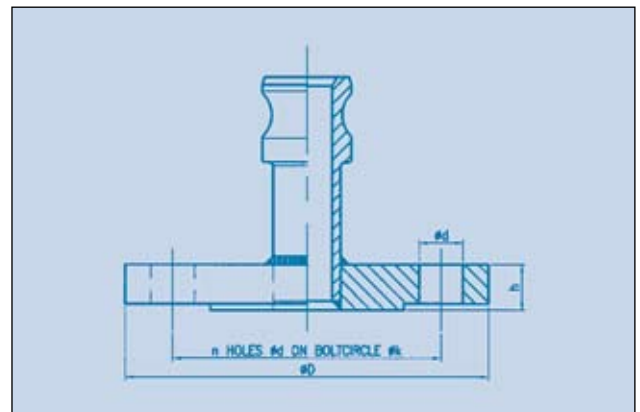
**150 lbs ANSI FLANGED SS KAMLOK® COUPLER
TYPE 633LBS-SS ANSI**



mm	inch	Ø k	Ø D	h	n	Ø d
15	0.50	60.5	88.9	11.2	4	15.7
20	0.75	69.9	98.6	12.7	4	15.7
25	1	79.2	108.0	14.2	4	15.7
32	1.25	88.9	117.3	15.7	4	15.7
40	1.50	98.6	127.0	17.5	4	15.7
50	2	102.7	152.4	19.1	4	19.1
65	2.50	-	-	-	-	-
80	3	152.4	190.5	23.9	4	19.1
100	4	190.5	228.6	23.9	8	19.1
125	-	-	-	-	-	-
150	-	-	-	-	-	-
200	-	-	-	-	-	-

Stainless Steel Only ◀ Dimensions in mm ▶

**150 lbs ANSI FLANGED SS KAMLOK® ADAPTOR
TYPE 633LAS-SS ANSI**



mm	inch	Ø k	Ø D	h	n	Ø d
15	0.50	60.5	88.9	11.2	4	15.7
20	0.75	69.9	98.6	12.7	4	15.7
25	1	79.2	108.0	14.2	4	15.7
32	1.25	88.9	117.3	15.7	4	15.7
40	1.50	98.6	127.0	17.5	4	15.7
50	2	102.7	152.4	19.1	4	19.1
65	2.50	-	-	-	-	-
80	3	152.4	190.5	23.9	4	19.1
100	4	190.5	228.6	23.9	8	19.1
125	-	-	-	-	-	-
150	-	-	-	-	-	-
200	-	-	-	-	-	-

Stainless Steel Only ◀ Dimensions in mm ▶